

Crossjoints

Dear Partners!

We are glad to announce that we have expanded our product range. **Crossjoints** of **Craft Bearings** are available from our shelves.

Notation of the crossjoints: CJC 002 (22 x 54,8) (CRF)

The crossjoints sold by us are all **sold as a kit**. A kit contains the crossjoint, 4pcs of seeger rings or other anchorages and grease nipples with an amount and positioning according to the type.



Currently available types and sizes:

CJC 002 (22 x 54,8) (CRF)

CJC 003 (23,8 x 61,2) (CRF)

CJC 004 (27 x 70) (CRF)

CJC 005 (27 x 74,5) (CRF)

CJC 006 (30,2 x 80) (CRF)

CJC 007 (30,16 x 92) (CRF)

CJC 008 (30,16 x 106,3) (CRF)

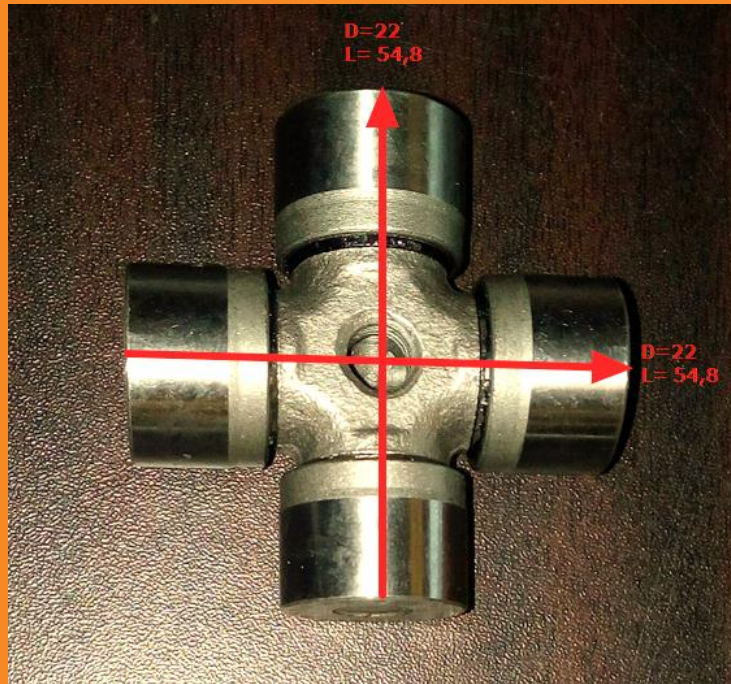
CJC 009 (35 x 106,3) (CRF)

CJC 010 (24 x 75 / 27 x 91) (CRF)

CJC 011 (27 x 76 / 32 x 94) (CRF)

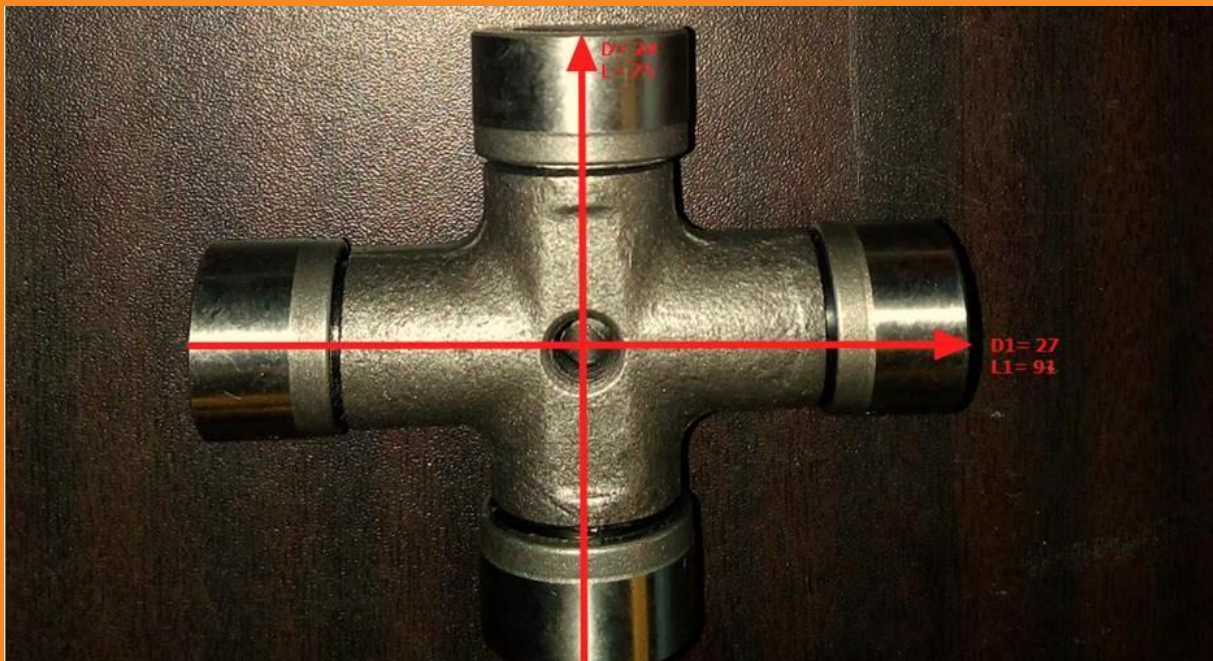
CJC 012 (32 x 89 / 36 x 106) (CRF)

For further information and quotation please contact our Sales Colleagues or Customer Service Team or one of our Distributors so we can find the proper solution together.



CJC 002 (22 x 54,8) (CRF)

Regarding the **CJC 002** shown on the picture, the dimensions in our article description refer to diameter (22mm) and length (54.8mm).



CJC 010 (24 x 75 / 27 x 91) (CRF)

Regarding the **CJC 010** shown on the picture the dimensions in our article description refers to the following: sizes before the / sign refer to diameter (24mm) and length (75mm) of the shorter side, the ones after the / sign refer to diameter (27mm) and length (91mm) of the longer side.